

Service description

Product: TK105	Service description no: 3311-S001	Ver: 1
-------------------	-----------------------------------------	-----------

Symptom

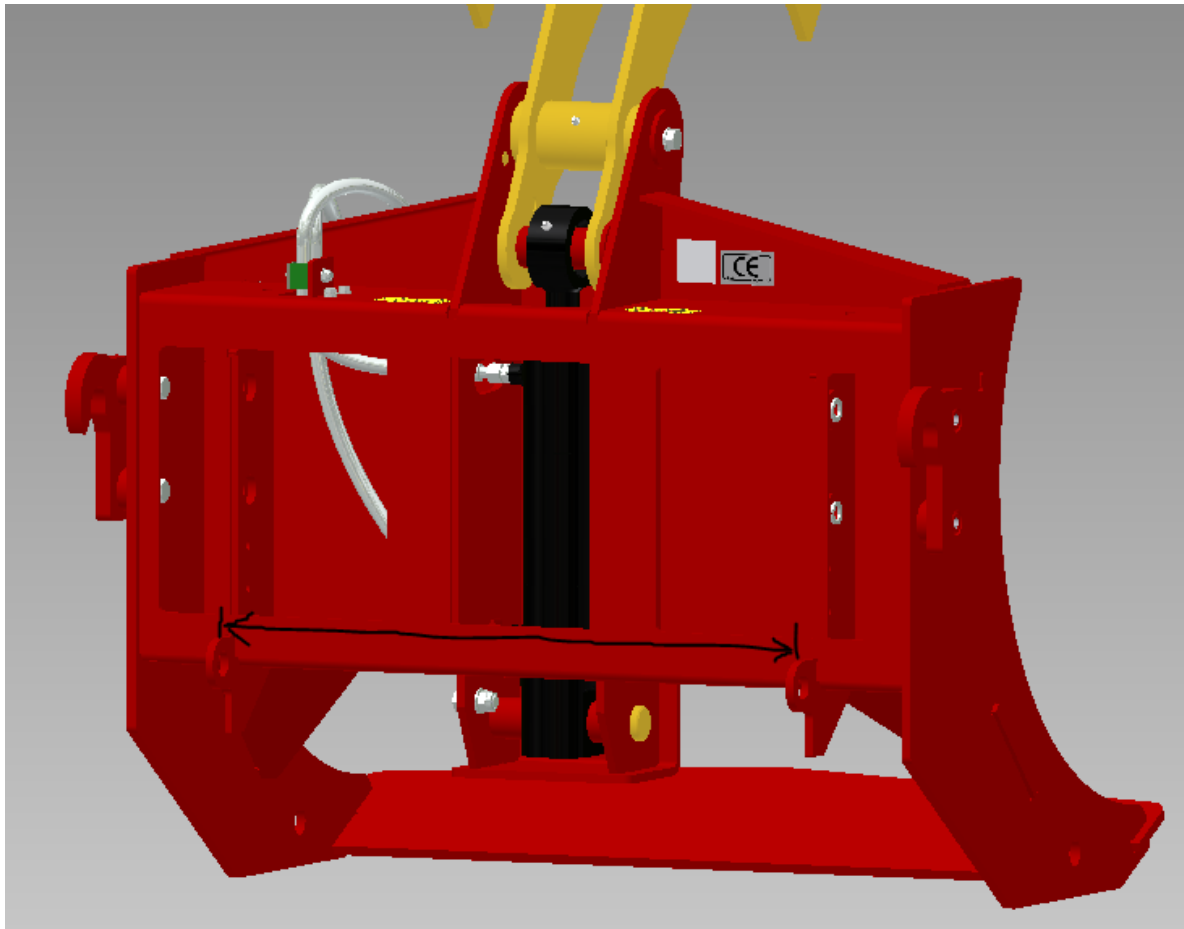
Euro attachment on the claw does not fit on the Lasterramma.

Caused by

1. The loader has a clean Euro attachment. The distance between locking brackets at the bottom of the claw is too small.
2. The loader has a combined frame with Euro, Trima and Ölø. Euro attachment mounting brackets have too short distance between them.

Solution

1. Applies to Timber claw with serial numbers up to 150121.
Cut off the attached brackets and weld them on in the correct position, or buy a claw with a serial number from 150121.



2. Replace Euro attachment with a new type of bracket which expands to the correct distance.

